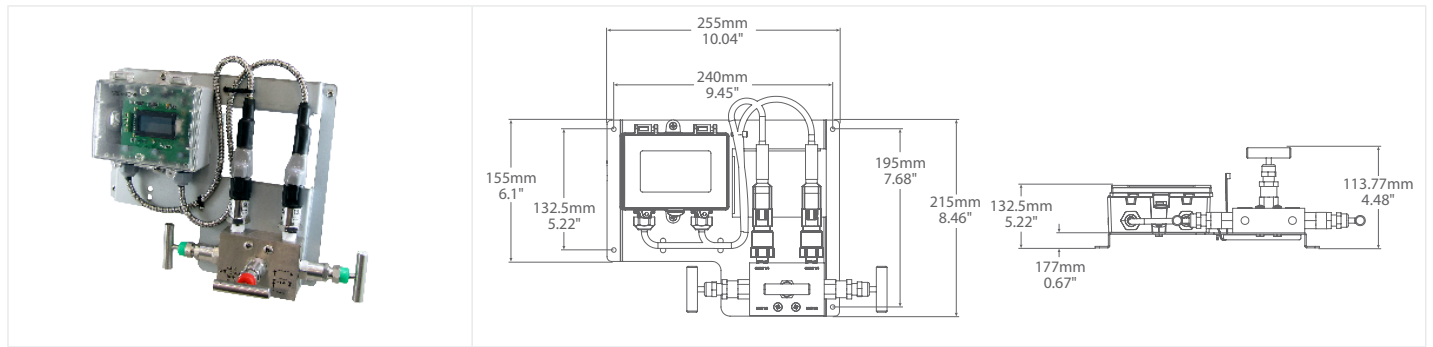




DIFFERENTIAL PRESSURE TRANSMITTER WITH 3-WAY VALVE & BRACKET



DP-3VB SERIES

PRODUCT DESCRIPTION

The differential pressure transmitter includes a pipe-to-pipe 3-valve manifold. The manifold consists of two isolation (block) valves and an equalizer valve. The 3-valve manifold assembly simplifies installation, allows easy service without disruption of the process and reduces costs when compared to using individual components.

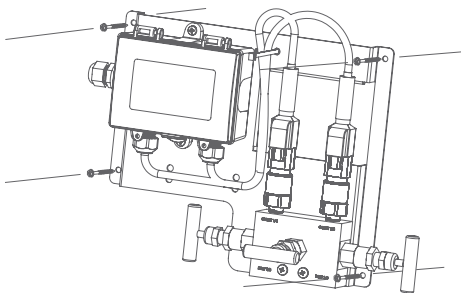
The differential pressure transmitter is designed with dual remote sensors that enable it to accept high pressure in several ranges up to 500 PSI, 30 Bar or 3500 kPa. All models can handle overload pressure 2X and burst pressure 20X the maximum full scale range.

Features include field selectable pressure ranges and output signal types, output reversal and slow damping, port swapping and bidirectional measurements for the most flexible applications. The pressure transmitter is fully factory calibrated and temperature compensated for the highest start-up accuracy.

TYPICAL INSTALLATION

For complete installation and wiring details, please refer to the product installation instructions.

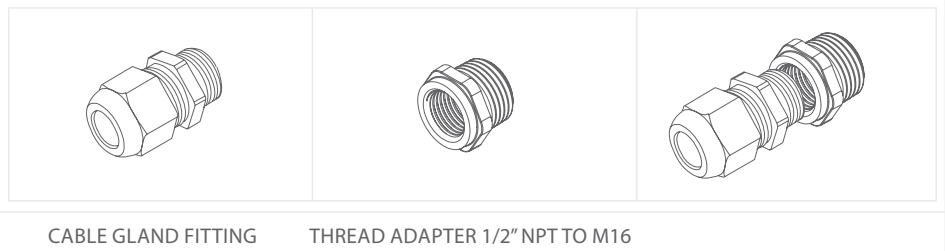
Mount the assembly bracket on a vertical surface using the four integrated mounting holes. Avoid locations with high vibrations or excessive moisture.



SPECIFICATIONS

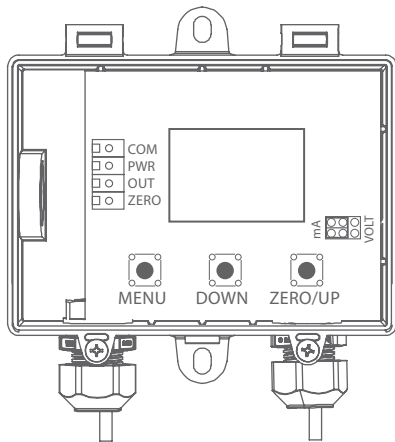
POWER SUPPLY	24 Vac/dc $\pm 10\%$ (non-isolated, half-wave rectified)
CONSUMPTION	75 mA max @ 24 Vdc
OUTPUT SIGNAL	4-20 mA sourcing, 0-5/0-10 Vdc (switch selectable)
OUTPUT DRIVE	Current: 550 Ω max Voltage: 10,000 Ω min
PROTECTION CIRCUITRY	Reverse voltage protected, transient protected
LCD DISPLAY	35mm x 15mm (1.4" x 0.6"), 2 line x 8 character
ACCURACY	$\pm 1\%$ full scale of selected range (range 4 is $\pm 2\%$ FS) @ 22°C (72°F) including hysteresis, non-linearity, and repeatability
STABILITY	$\pm 0.25\%$ FS typical (1 year)
PRESSURE RANGES	4 per model (menu selectable)
MEDIA COMPATIBILITY	17-4 PH stainless steel
PROOF PRESSURE	2X highest range per model
BURST PRESSURE	20X highest range per model
MAXIMUM LINE PRESSURE	= highest model range
PRESSURE CYCLES	>100 million
SURGE DAMPENING	1-60 seconds averaging (menu selectable)
ZERO ADJUST	Push-button and remote input
SENSOR OPERATING RANGE	-40 to 105°C (-40 to 221°F)
AMBIENT OPERATING RANGE	0 to 50°C (32 to 122°F), 10 to 90 %RH non-condensing
PRESSURE CONNECTION	1/8" NPT female
REMOTE SENSOR RATING	IP67
REMOTE SENSOR CABLE	Armored Flexible S/S
WIRING CONNECTION	14-22 AWG screw terminal block
ENCLOSURE	B: Polycarbonate, UL94-V0, IP65 (NEMA 4X) E: Same as B, with thread adapter (1/2" NPT to M16) and cable gland fitting
WEIGHT	2380g (83.95 oz)
APPROVALS	CE, RoHS
COUNTRY OF ORIGIN	Canada

ACCESSORIES - INCLUDED WITH F ENCLOSURE OPTION





WIRING INFORMATION



TERMINAL	FUNCTION
COM	Common
PWR	24 Vac/Vdc
OUT	Analog Output
ZERO	Remote Zero Switch

NOTE: Do NOT apply voltage to ZERO terminal.

WARNING: Ensure that the maximum individual port pressure does not exceed the highest pressure range of the unit. For example, the highest individual port pressure on a 02 Range Code is 100 PSI. Exceeding this may damage the sensors and give erroneous readings. See Ordering Chart for ratings.

ORDERING			PART NUMBER
PRODUCT	DP	Differential Pressure Transmitter	DP
ENCLOSURE	B F	Polycarbonate, with hinged and gasketed cover Same as B, with thread adapter and cable gland fitting	
PRESSURE RANGES	01 02 03 04 05 06 07 08 09 10 11 12	5, 10, 25, and 50 PSI ranges 10, 20, 50, and 100 PSI ranges 25, 50, 125, and 250 PSI ranges 50, 100, 250, and 500 PSI ranges 0.5, 1.0, 2.5, and 5.0 Bar 0.7, 1.4, 3.5, and 7.0 Bar 1, 2, 5, and 10 Bar 3.5, 7, 17.5, and 35 Bar 50, 100, 250, and 500 kPa 70, 140, 350, and 700 kPa 100, 200, 500, and 1000 kPa 350, 700, 1750, and 3500 kPa	
VALVE/BRACKET ASSEMBLY	3VB	3 Way Valve Bracket Assembly	
ACCESSORY	GADP100 GADP600	Liquid Gage Pressure Kit, 0-100PSI Liquid Gage Pressure Kit, 0-600PSI	

NOTE: Greystone Energy Systems, Inc. reserves the right to make design modifications without prior notice.